

Board & Batten

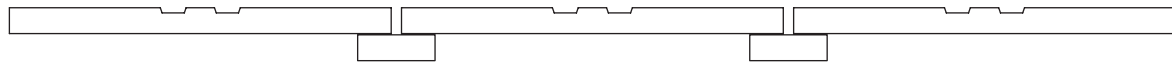
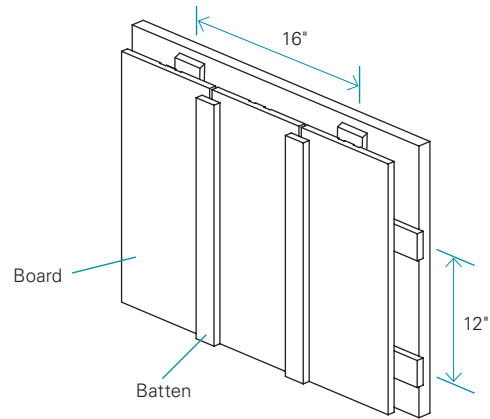
TEXTURED FINISH

REGULAR INSTALLATION SYSTEM

2"



10"



NOMINAL DIMENSION	INSTALLATION SYSTEM	FINISH	ACTUAL DIMENSIONS	EXPOSED SURFACE	OVERLAP	INSTALLATION
10"	Regular	Textured	5/8" x 9"	9 1/4" (including the batten)	-	Vertically
2"	Regular	Textured	11/16" x 1 5/8"	-	-	Vertically

General Specifications

SPECIES

- Spruce - Fir (SPF) / Sound tight knot

MANUFACTURING

- Kiln-dried (KD) between 12% to 16% humidity
- Available in a textured finish

PACKAGING

- 4' to 16' random lengths in bundles. Also available in straight 10' lengths

AVAILABLE COLOURS

Textured finish

- Maibec solid stain colour chart
- Maibec Natural tones
- Solid colours (2 coats). Unlimited choice of solid colours, with our TrueMatch® system

FACTORY-STAINING

- Siding is factory-coated on all six sides in a controlled environment for maximum stain absorption and retention. This also provides increased protection from the damaging effects of the sun and the elements.
- Low-volatile organic compounds (VOCs) water-based stains

For exterior use only.

Board & Batten

Preparing the Wall for Installation

Siding must be installed over a standard maximum 16" on centre stud built wall with OSB (oriented strand board) sheathing or plywood, and an approved water-resistive barrier. The final step in preparing the wall for siding is to nail furring strips vertically into the studs according to all applicable building codes and the Maibec installation requirements. When used in combination with ventilation and drainage accessories, these

furring strips create a continuous air gap between the siding and the water-resistive barrier.

For details, see the Maibec Regular Siding Installation Guide at maibec.com under the SUPPORT tab.

Installation System

NAILS

(REGULAR INSTALLATION SYSTEM)

- Use Maibec hot dipped zinc galvanized ring shank nails with textured head that are corrosion resistant and factory-stained to match the siding. These nails must be ordered at the same time as the siding.
- A plastic hammer end cap is provided to protect the stain on the nail heads.
- Double nailing – Board:
15 lbs of nails per 1,000 sq. ft.
- Simple nailing – Batten:
10 lbs of nails per 1,000 lin. ft. (3" nails)

Specific requirements apply to the installation of Maibec siding in coastal regions[†]. For details, see the [Maibec Regular Siding Installation Guide](#).

[†] APPLICABLE COASTAL REGIONS INCLUDE THOSE LOCATED LESS THAN 600 M (2,000 FT) FROM THE COASTLINE IN THE ATLANTIC PROVINCES (NEW BRUNSWICK, PRINCE EDWARD ISLAND, NOVA SCOTIA, NEWFOUNDLAND AND LABRADOR), IN SAINT-PIERRE-ET-MIQUELON, AND IN THE U.S. EAST COAST STATES.

Complementary accessories

VENTILATION AND DRAINAGE ACCESSORIES

Maibec ventilated strips feature a perforated 50% open pattern and adapt to all types of installations where ventilation and drainage are required. They also prevent rodents and certain insects from infiltrating behind the wall. Whether you're installing regular or Maibec em+[®] siding, all our ventilated products comply with our installation requirements and will help to ensure the optimal performance of your Maibec products.

METAL CORNERS

With their sleek design, our inside and outside corners are the perfect finishing touch for the Maibec URBAHN[®] Series. 10' lengths.

WARRANTY* – SIDING TEXTURED FACE

