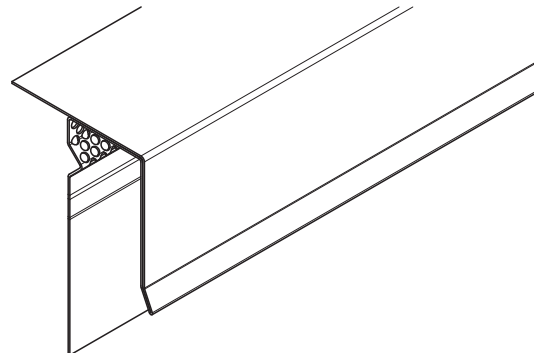
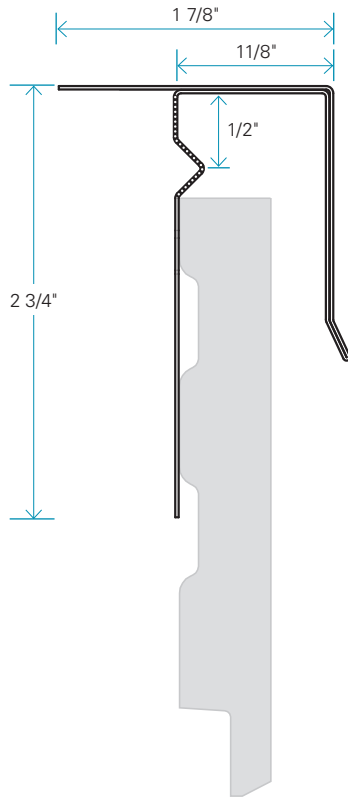


Ventilated "J" Strip



FINISH	ACTUAL DIMENSIONS	LENGTH	INSTALLATION
Steel	1 7/8" x 2 3/4"	10'	Siding installed horizontally or vertically

General Specifications

Ventilated steel strip ensuring proper ventilation at the tops of walls, under windows and between storeys. For use with ventilated strips at the bottoms of walls. Open at 50%, the perforated pattern ensures proper ventilation and drainage while preventing rodents and certain insects from getting in behind the siding. Seals the roof space to prevent moisture infiltration.

PACKAGING

- Piece of 10 ft
- Sold in pairs (2 x 10').

AVAILABLE IN 2 COLOURS

- White
- Black

For exterior use only.